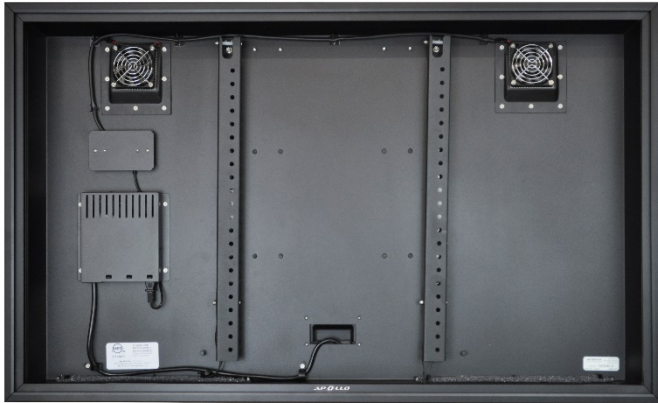


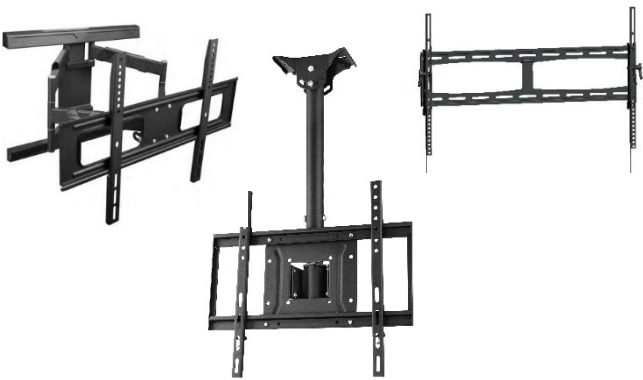
## Model AE5550

### All-Weather Outdoor TV Enclosure

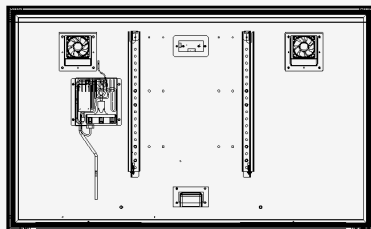


Model 5550 fits most 50" - 55" slimline LED/LCD TVs

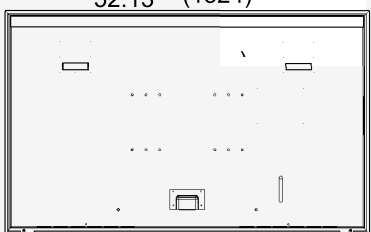
Available with a weatherproof mount of your choice.  
(See mount drawings and secs on back page.)



### Model AE5550 Drawings and Specs

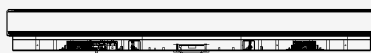


31.87"  
(809)



52.13" (1324)

5.8"  
(146.6)



### Features


- All aluminum powder coated construction for durability and style
- Anti-reflective safety glass reduces glare and enhances contrast
- Tight-Seal technology seals your TV against rain, dust, and insects
- Temperature controlled, dual filtered air-flow system protects your TV in temperatures up to 122°F (50° C)
- Down-facing Sound Port transfers TV speaker audio effectively
- Watertight cable cover protects cable connections to your TV inputs and outputs
- 9' outdoor rated power cable for safe outdoor installation
- EZ mount internal TV swing brackets for simplified installation and easy cable management
- 1' extension power cord to accommodate internal connection of power packs or right angle plugs
- Apollo all-weather full-motion wall mount, non-articulating wall mount, or adjustable height (28.44" - 48") ceiling mount with tilt and swivel features is available for this model
- Standard color in Black, with three designer color options

Specifications	Model AE5550
Fits TV Sizes	50" to 55" Slim LED/LCD TVs
Max TV dimensions the enclosure accommodates	49" W x 29" H x 3.5" D (1244.6 x 736.6 x 88.9 mm)
Power Requirements	110/240 VAC
Mount Options (Choice of one) Drawings & Spec on Next Page	AWM407 Articulating Wall mount WM607NA Non-articulating Wall Mount CM708 Ceiling Mount
Enclosure Dimensions	52.13" W x 31.87" H x 5.8" D (1324*809.5*147.3mm)
Shipping Dimensions	56" W x 37" H x 10" D (1442.4*939.8*254mm)
Enclosure Weight	47 lbs. (21.32kg)
Shipping Weight	56.5 lbs. (25.63kg)



Complies with:  
UL/CSA 60950-1  
UL/CSA 60950-22

### Optional Accessories and Designer Colors

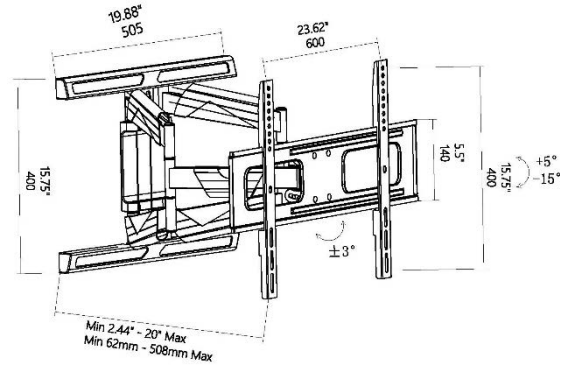
DC5550 - Custom protective dust cover of washable, durable fabric	Designer Color Upgrades. Choice of Silver (SL), White (WH), and Metallic Sandstone (SS),
HM200i Thermostatically controlled Heater Module for installation in areas of extreme humidity and where temperatures dip below -04 degrees F to -40 degrees F.	
MOD50 - Modesty bezels available for framing smaller TVs	

## Weatherproof Mount Selections for Apollo Enclosure Model AE5550

Apollo mounts are designed for outdoor installation with weatherproof construction and stainless steel hardware.

### AWM407 Articulating Wall Mount for Model AE5550

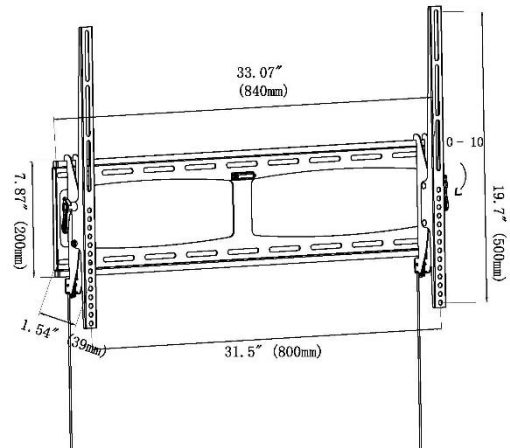
Description	Weather resistant aluminum dual arm, full-motion, tilting wall mount with stainless steel hardware, Black. Max load 175 lbs
Extension	2.44" to 20" (62 to 508 mm)
Tilt	Adjustable from +/-5° to 15°
Mount Weight	17.7 lbs. (8.03 kg)
Shipping Weight	19.50 lbs. (8.85 kg)
Shipping Carton	27.125" H x 15.375" W x 3.25" D (688.9*390.5*82.5mm)



or

### WM607NA Non-Articulating Mount Specifications For Model AE5550

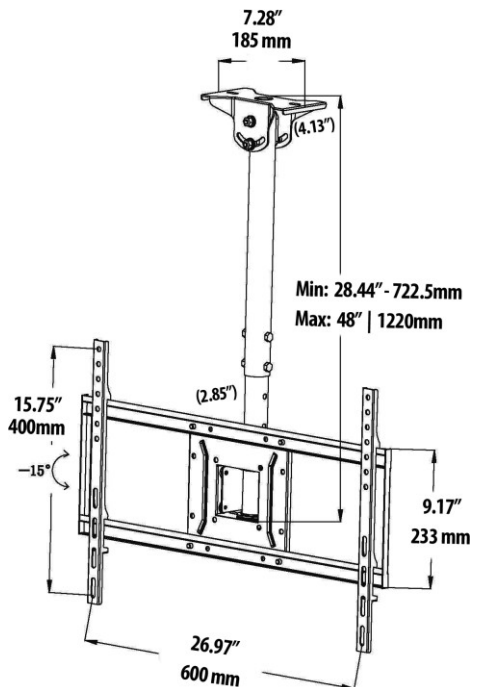
Description	Weather resistant non-articulating wall mount with stainless steel hardware, Black. Maximum Weight 200 lbs
Tilt	Adjustable from 0° to 10°
Mount Weight	5.2 lbs. (2.35 kg)
Shipping Weight	5.9 lbs. (2.68 kg)
Shipping Carton	33.625" H x 8.125" W x 2.25" D (854.1*206.4*57.2mm)



or

### CM708 Ceiling Mount Specifications For Model AE5550

Description	Weather resistant adjustable height, tilting and swivel ceiling mount with adjustable ceiling plate for flat or slanted ceiling. Black. Max load 155 lbs.
Extension	28.4" - 48" (722.5 to 1220mm)
Tilt	-5° to 15°
Product Weight	8.65 lbs. (3.92 kg)
Shipping Weight	12.65 lbs. (5.74 kg)
Shipping Carton	32.125" H x 9.625" W x 4.25" D (790.6*244.5*108mm)



**APOLLO**  
ENCLOSURES



[www.apolloenc.com](http://www.apolloenc.com) | 888.414.5919

Copyright 2023 Apollo Enclosures, All rights reserved

Rev 5550-spec - 230213